

SIGN	DATE	DESCRIPTION	APPROVER
△			
△			
△			

Technical Data:

Material:


- Contact(metal housing): Brass Stamping
- Wire guard: PhBz, Tin plated
- Terminal screw: Steel galvanized and chromitized or Nickel plated or Tin plated(standard)(optian)
- Solder Pin: Brass with Tin plated
- Insulator body(housing): Polyamide(Glass filled)(UL94V-0)

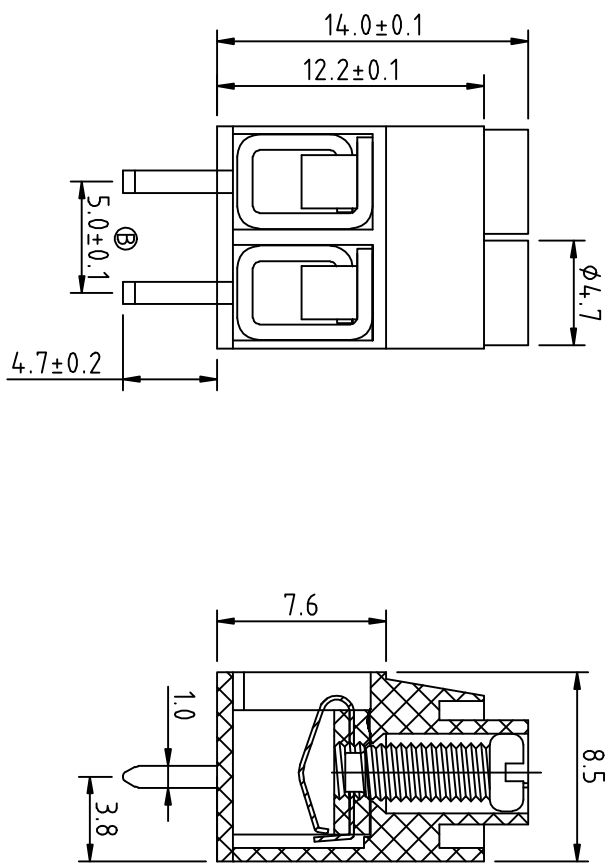
Electrical

- Voltage rating: 300VAC
- Current rating: 10 Amps/way max
- Contact resistance: 20mΩ(max)
- Insulation resistance: 5000MΩ/1000V
- Withstanding Voltage: 2000VAC(1min) Test time=60sec/1pcs
- Wire range: 12-20AWG

Mechanical:

- Torque: 4kg-cm/M2.5
- Operating temperature: -33°C to +120°C
- Soldering reliability:
Test temperature= 250°C±10°C
5 seconds max

Safety approval deta: 



POLE	NP	2P
A	NX5.0	10.0
B	(N-1) X5.0	5.0



杰科电子有限公司
JIE KE ELECTRONICS CO., LTD.

PART NAME: JK168-500 2P

TITLE:

PART NO.:

DWG NAME:

APPROVED BY

CHECKED BY

DESIGNED BY

DRAWN BY

CUSTOM NO.:

Tolerance
X ±0.50
XX ±0.30
XXX ±0.10
X° ±1°

岑杰

杨丽霞



UNITS: mm
SCALE: 4/1
REVISION: B1

1	2	3	4	5	6	7
---	---	---	---	---	---	---