

SIGN	DATE	DESCRIPTION	APPROVER
△			
△			
△			

Technical Data:

Material:
 ◦ Contact(metal housing): Zinc Die Casting or Brass Machined(option)

● Terminal screw: Steel galvanized and achromatized or Nickel plated or Tin plated(standard)(option)

● Solder Pin: Brass with Tin plated

● Insulator body(housing): Polyamide(Glass filled)(UL94V-0)

Electrical

● Voltage rating: 300VAC

● Current rating: 15 Amps/way max

● Contact resistance: 20m (max) Ω

● Insulation resistance: 5000M /1000V Ω

● Withstanding Voltage: 2000VAC(1min) Test time=60sec/1pcs


Wire range: 12-22AWG

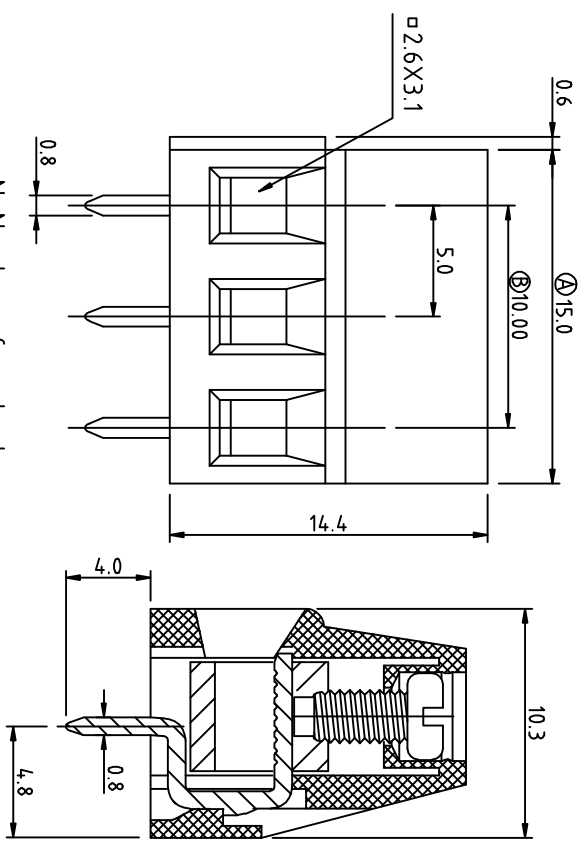
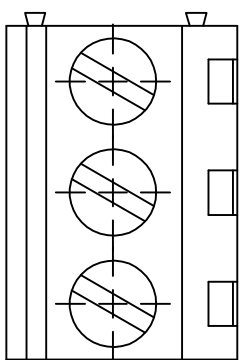
Mechanical:

● Torque: 4kgf.cm/M2.5

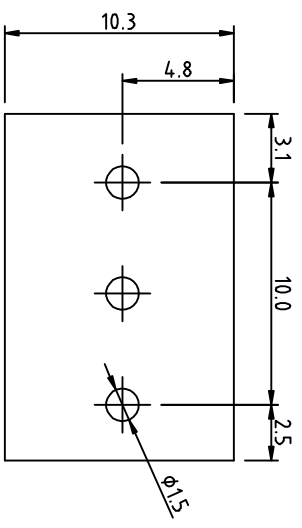
● Operating temperature: -33°C to +120°C

● Soldering reliability:
 Test temperature= 250°C±10°C
 5 seconds max

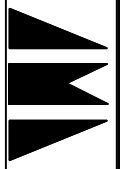
Safety approval deta: 



N=Number of contacts
 P.C.B LAYOUT



POLE	3P	
A	NX5.0	15.0
B	(N-1) X5.0	10.0



杰科电子有限公司
 JIE KE ELECTRONICS CO., LTD.

PART NAME: JK128-500 3P

TITLE:

PART NO.:

DWG NAME:

APPROVED BY

CHECKED BY

DESIGNED BY

DRAWN BY

CUSTOM NO.:

Tolerance

岑杰

孙学丰



UNITS: mm
 SCALE: 4/1
 REVISION: B4

x. ±0.50
 x.x ±0.30
 x.xx ±0.10
 xx° ±1°