

SIGN	DATE	DESCRIPTION	APPROVER
Δ			
Δ			
Δ			

Technical Data:

Material:

- Contact(metal housing): Zinc Die Casting or Brass Machined(option)
- Terminal screw: Steel galvanized and achromatized or Nickel plated or Tin plated(standard)(option)
- Solder Pin: Brass with Tin plated
- Insulator body(housing): Polyamide(Glass filled)(UL94V-0)

Electrical

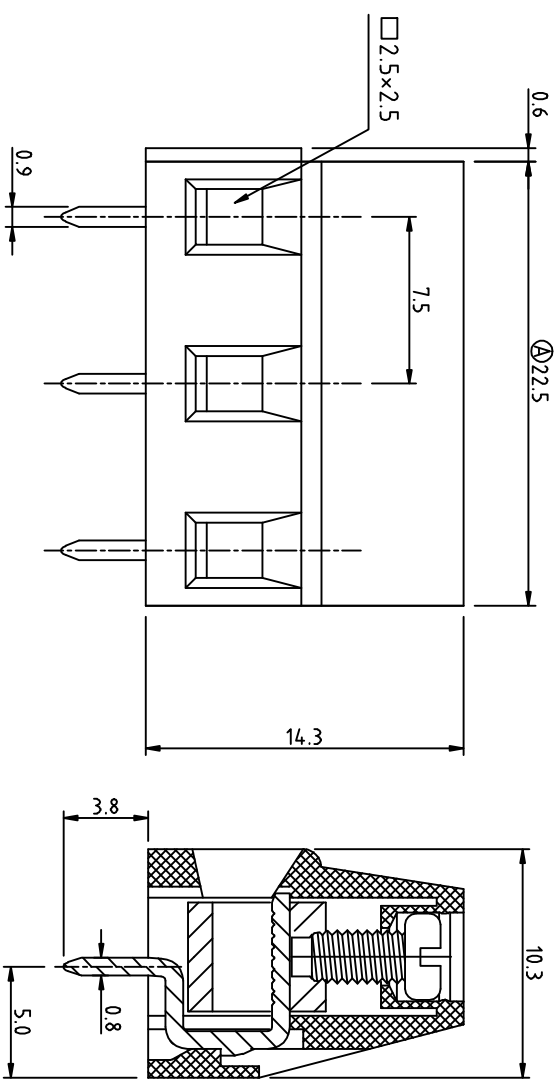
- Voltage rating: 300VAC
- Current rating: 15 Amps/way max
- Contact resistance: 20mΩ(max)
- Insulation resistance: 5000MΩ/1000V
- Withstanding Voltage: 2000VAC(1min) Test time=60sec/1pcs
- Wire range: 12-22AWG

Mechanical:

- Torque: 4kgf.cm/M2.5
- Operating temperature: -33°C to +120°C
- Soldering reliability:  
Test temperature= 250°C±10°C  
5 seconds max

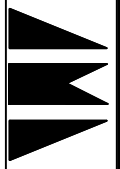
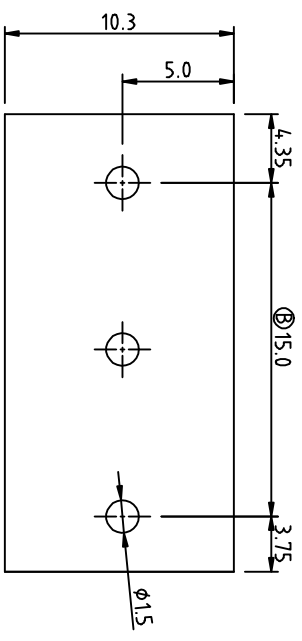
Safety approval deta: **SAA**

POLE	3P	
A	NX7.5	22.5
B	(N-1) X7.5	15.0



N=Number of contacts

P.C.B LAYOUT



**杰科电子有限公司**  
JIE KE ELECTRONICS CO., LTD.

PART NAME: JK128-750 3P

TITLE:

PART NO.:

DWG NAME:

APPROVED BY

CHECKED BY

DESIGNED BY

DRAWN BY

CUSTOM NO.:

Tolerance

**安杰**

**孙学丰**

UNITS: mm  
SCALE: 4/1  
REVISION: B4

x ±0.50  
x.x ±0.30  
x.xx ±0.10  
xx° ±1°