

SIGN	DATE	DESCRIPTION	APPROVER
△			
△			
△			

Technical Data:

Material:

- Contact(metal housing): Brass Machined
- Terminal screw: Steel galvanized and chromate or Nickel plated or Tin plated (standard) (option)
- Solder Pin: Brass with Tin plated
- Insulator body(housing): Polyamide(Glass filled)(UL94V-0)

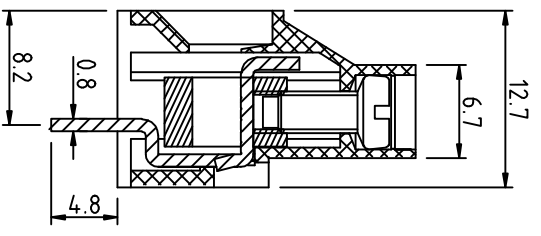
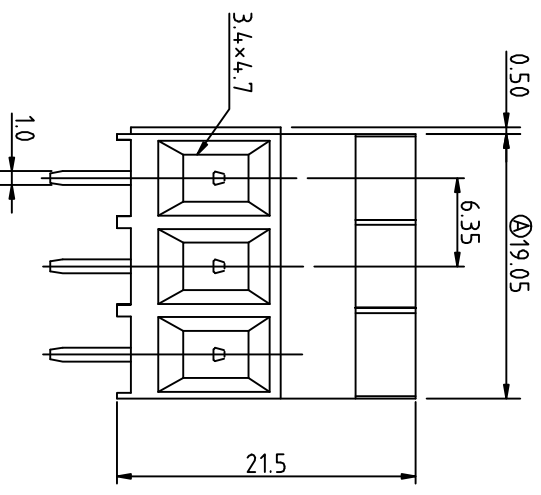
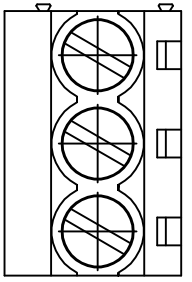
Electrical

- Voltage rating: 300VAC
- Current rating: 30 Amps/way max
- Contact resistance: 20mΩ(max)
- Insulation resistance: 5000MΩ/1000V
- Withstanding Voltage: 2000VAC(1min) Test time=60sec/1pcs
- Wire range: 10-24AWG

Mechanical:

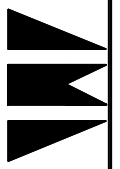
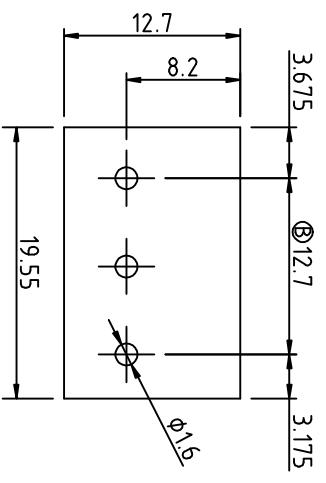
- Torque: 4kgf.cm/M3
- Operating temperature: -33°C to +120°C
- Soldering ability: 95%coverage(min)
- Test temperature= 230°C±10°C  
Test time= 4sec±0.5sec
- Soldering reliability:  
Test temperature= 250°C±10°C  
5 seconds max

POLE	3P	
A	NX6.35	19.05
B	(N-1) X6.35	12.70



N=Number of contacts

P.C.B. LAYOUT



**杰科电子有限公司**  
JIE KE ELECTRONICS CO., LTD.

PART. NAME: JK135-635 3P

TITLE:

PART. NO.:

DWG NAME:

APPROVED BY

CHECKED BY

DESIGNED BY

DRAWN BY

CUSTOM NO.:

Tolerance  
X. ±0.50  
XX ±0.30  
XXX ±0.10  
X° ±1°

孙学峰

杨丽霞

杨丽霞

杨丽霞

UNITS: mm  
SCALE: 2.5/1  
REVISION: B3